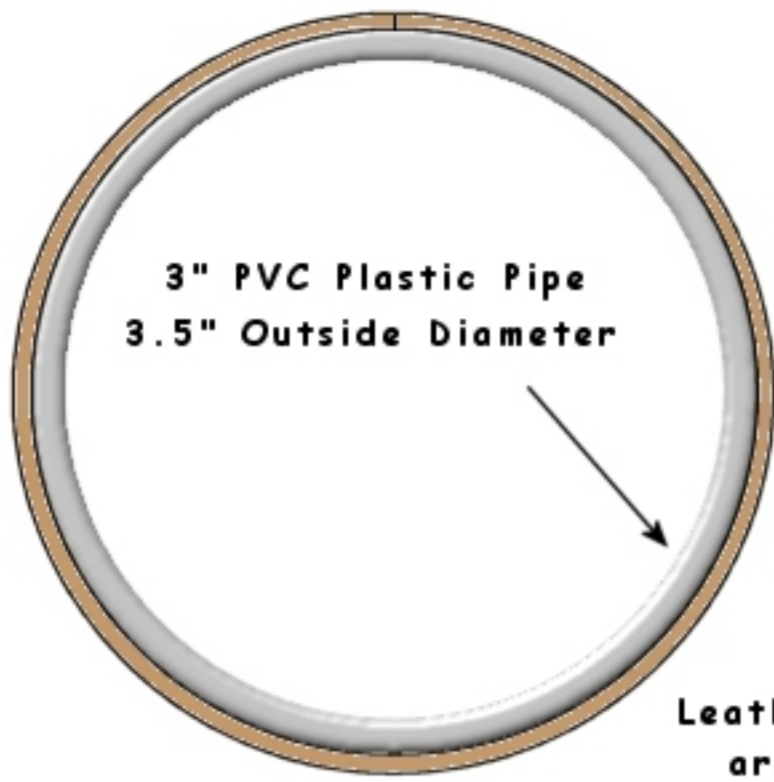
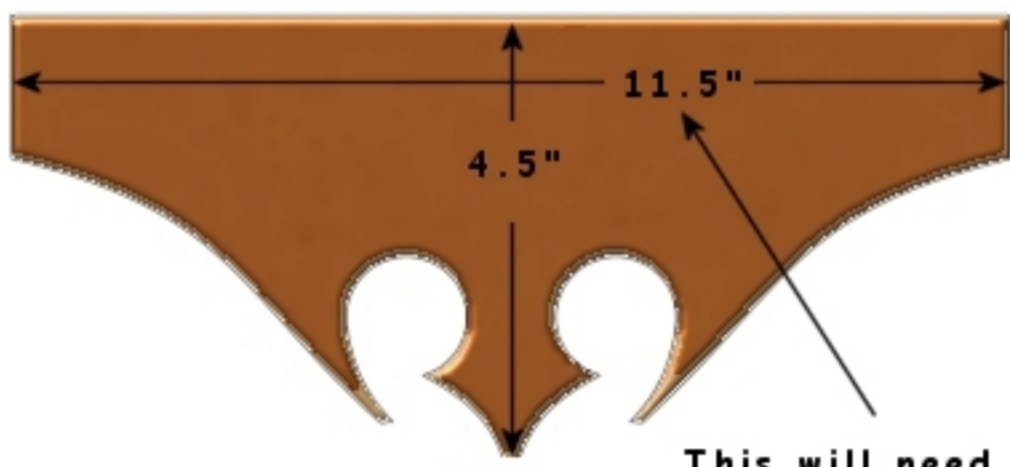


# Quiver

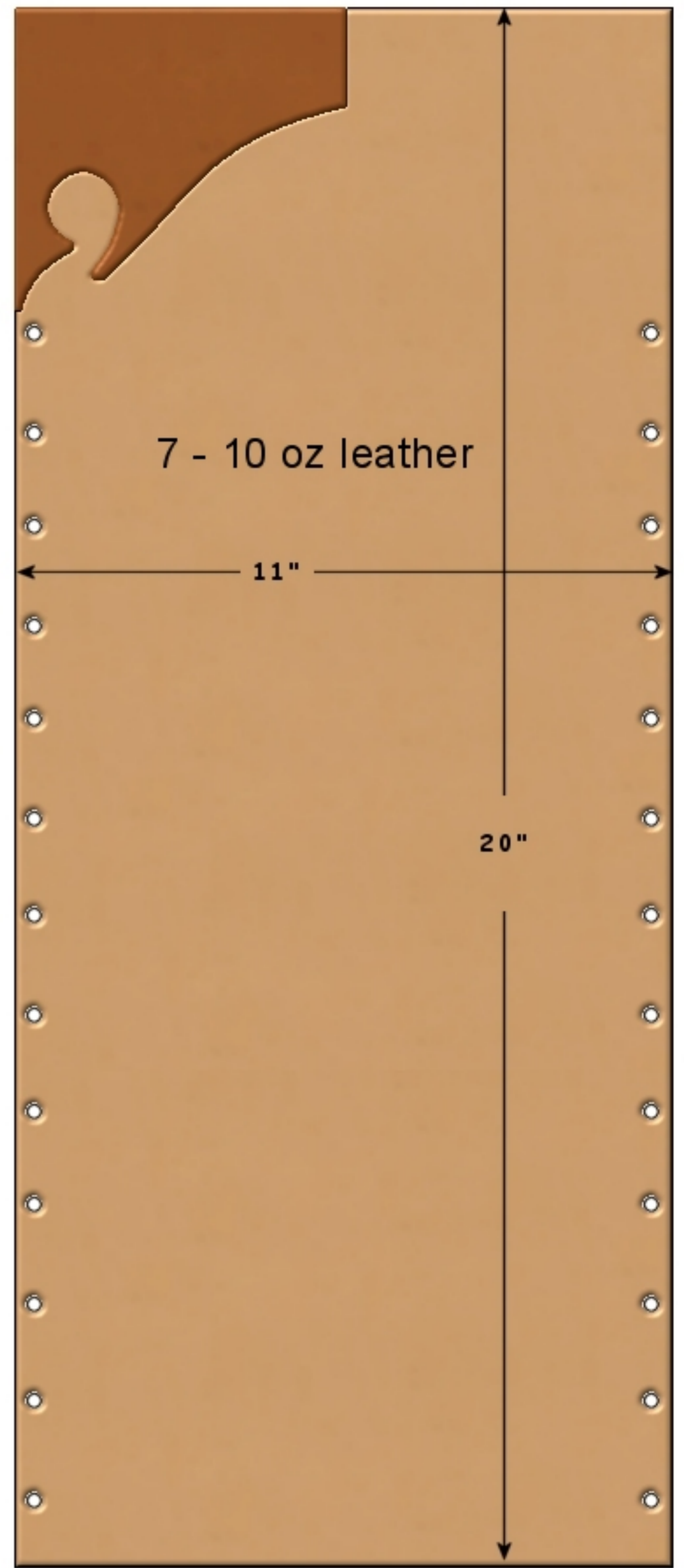
Ron Reuter  
yeoldegaffers.com



Wet  
Leather wrapped  
around pipe



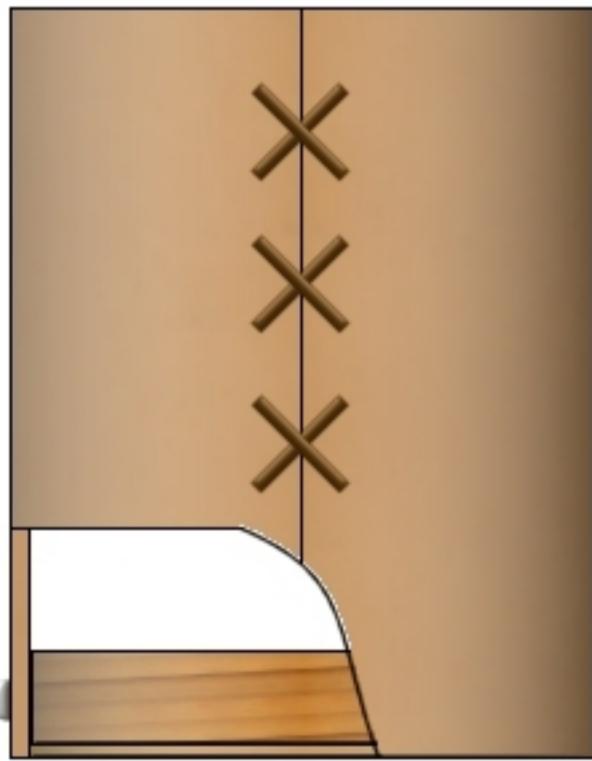
This will need to be  
trimmed to length



7 - 10 oz leather

11"

20"



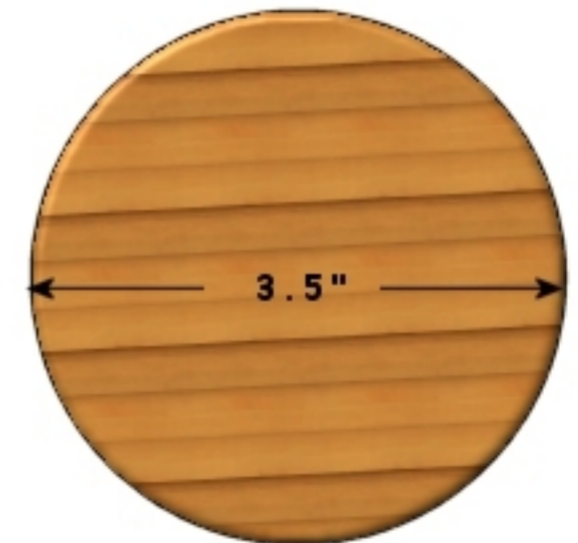
Nail on with  
decorative nails  
or tacks....

Wood bottom with  
leather glued to bottom

This piece goes inside of  
quiver to give strength  
to lacing and seam



Don't cut this piece until  
you have laced the quiver  
together.. it may need a  
bit of adjustment...



Wood Bottom

Round these  
edges a bit

25"

